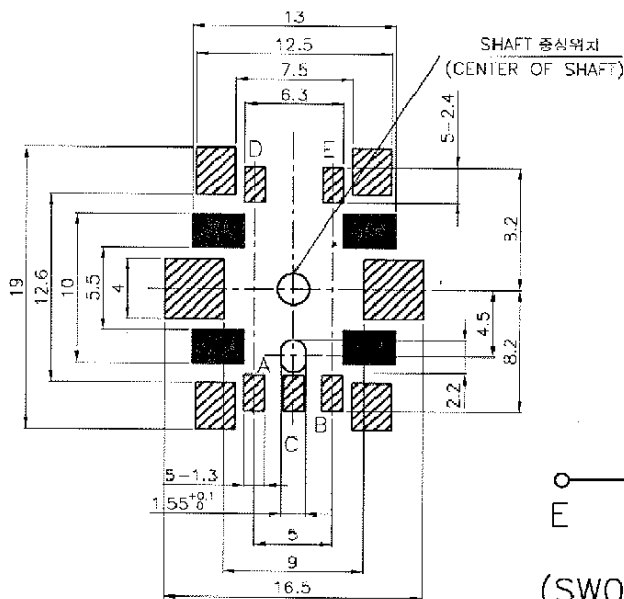
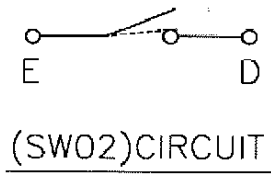
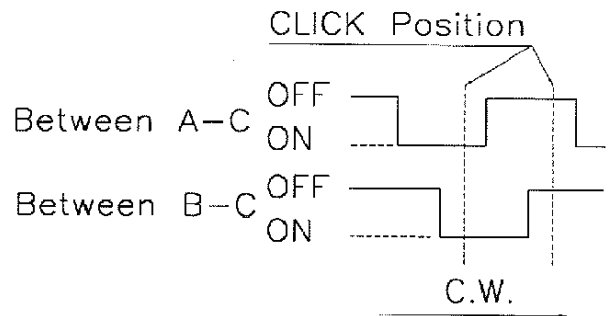


P.W.B.MOUNTING DETAIL TOLERANCE±0.1(RFFERENCE)
 A SLANT LINE PART SHOWS THE SOLDER LAND
 BLACK PART:DO NOT SOLDER AND NO WIRING
 FOR ELECTRICAL CONTACT VIEWED FROM MOUNTING SIDE



(SW01) ENCODER
 (SW02) PUSH ON SW



공차 지정없는 치수의 공차 (B) Tolerances Unless Otherwise SPEC.	
L ≤ 10	± 0.3
10 < L < 100	± 0.5
100 ≤ L	± 0.8
Angular Dimension	± 5 °
L = 15	LB = 5

제품명	MODEL명	CLICK 수	PULSE 수	도면	척도	단위
11mm Size 15 Plus Encoder Switch	EC11S15D2K195	30	15	삼각법	1 / 2	mm