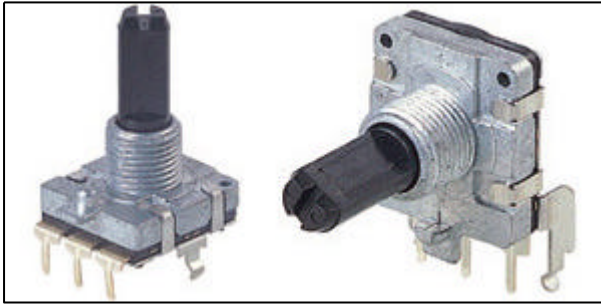


ENCODER

EC16 Series



12Pulses / 24Pulses

Sliding type encoder

Incremental type with click

Shaft 가

Features

12Pulses/24Pulses

Sliding type encoder for high precision

Incremental type with click

Various Shafts Available

Applications

A/V , TV, Monitor, 가

Level control .

Level control function for A/V Device, TV, Monitor, Home Appliance, etc

Products Line

Unit : mm

Resolution	Number of detent	Operating direction	Length of shaft (L1) (mm)	Torque	Products No.	Drawing No.
12	12	Vertical	15	30 ~ 200gf .cm	EC16B12S00A1	1
			20		EC16B12S00B2	
			22.5		EC16B12S00C3	
			25		EC16B12S00D4	
12	12	Horizontal	15	30 ~ 200gf .cm	EC16B12S10A1	2
			20		EC16B12S10B2	
			22.5		EC16B12S10C3	
			25		EC16B12S10D4	
12	Without	Vertical	15	100gf .cm	EC16B12T00A1	1
				150 ~ 400gf .cm	EC16B12T01A1	
				400 ~ 600gf .cm	EC16B12T02A1	
				70 ~ 200gf .cm	EC16B12T03A1	
			20	100gf .cm	EC16B12T00B2	
				150 ~ 400gf .cm	EC16B12T01B2	
				400 ~ 600gf .cm	EC16B12T02B2	
				70 ~ 200gf .cm	EC16B12T03B2	
			22.5	100gf .cm	EC16B12T00C3	
				150 ~ 400gf .cm	EC16B12T01C3	
				400 ~ 600gf .cm	EC16B12T02C3	
				70 ~ 200gf .cm	EC16B12T03C3	
			25	100gf .cm	EC16B12T00D4	
				150 ~ 400gf .cm	EC16B12T01D4	
				400 ~ 600gf .cm	EC16B12T02D4	
				70 ~ 200gf .cm	EC16B12T03D4	

12	Without	Horizontal	15	100gf .cm	EC16B12T10A1	2
				150 ~ 400gf .cm	EC16B12T11A1	
				400 ~ 600gf .cm	EC16B12T12A1	
				70 ~ 200gf .cm	EC16B12T13A1	
			20	100gf .cm	EC16B12T10B2	
				150 ~ 400gf .cm	EC16B12T11B2	
				400 ~ 600gf .cm	EC16B12T12B2	
				70 ~ 200gf .cm	EC16B12T13B2	
			22.5	100gf .cm	EC16B12T10C3	
				150 ~ 400gf .cm	EC16B12T11C3	
				400 ~ 600gf .cm	EC16B12T12C3	
				70 ~ 200gf .cm	EC16B12T13C3	
			25	100gf .cm	EC16B12T10D4	
				150 ~ 400gf .cm	EC16B12T11D4	
				400 ~ 600gf .cm	EC16B12T12D4	
				70 ~ 200gf .cm	EC16B12T13D4	
24	24	Vertical	15	30 ~ 200gf .cm	EC16B24S00A1	1
			20		EC16B24S00B2	
			22.5		EC16B24S00C3	
			25		EC16B24S00D4	
24	24	Horizontal	15	30 ~ 200gf .cm	EC16B24S10A1	2
			20		EC16B24S10B2	
			22.5		EC16B24S10C3	
			25		EC16B24S10D4	
24	Without	Vertical	15	100gf .cm	EC16B24T00A1	1
				150 ~ 400gf .cm	EC16B24T01A1	
				400 ~ 600gf .cm	EC16B24T02A1	
				70 ~ 200gf .cm	EC16B24T03A1	
			20	100gf .cm	EC16B24T00B2	
				150 ~ 400gf .cm	EC16B24T01B2	
				400 ~ 600gf .cm	EC16B24T02B2	
				70 ~ 200gf .cm	EC16B24T03B2	
			22.5	100gf .cm	EC16B24T00C3	
				150 ~ 400gf .cm	EC16B24T01C3	
				400 ~ 600gf .cm	EC16B24T02C3	
				70 ~ 200gf .cm	EC16B24T03C3	
			25	100gf .cm	EC16B24T00D4	
				150 ~ 400gf .cm	EC16B24T01D4	
				400 ~ 600gf .cm	EC16B24T02D4	
				70 ~ 200gf .cm	EC16B24T03D4	
24	Without	Horizontal	15	100gf .cm	EC16B24T10A1	2
				150 ~ 400gf .cm	EC16B24T11A1	
				400 ~ 600gf .cm	EC16B24T12A1	
				70 ~ 200gf .cm	EC16B24T13A1	
			20	100gf .cm	EC16B24T10B2	
				150 ~ 400gf .cm	EC16B24T11B2	
				400 ~ 600gf .cm	EC16B24T12B2	
				70 ~ 200gf .cm	EC16B24T13B2	
			22.5	100gf .cm	EC16B24T10C3	
				150 ~ 400gf .cm	EC16B24T11C3	
				400 ~ 600gf .cm	EC16B24T12C3	
				70 ~ 200gf .cm	EC16B24T13C3	
			25	100gf .cm	EC16B24T10D4	
				150 ~ 400gf .cm	EC16B24T11D4	
				400 ~ 600gf .cm	EC16B24T12D4	
				70 ~ 200gf .cm	EC16B24T13D4	

외형도 Dimension

Unit : mm

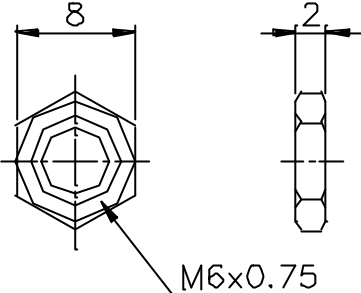
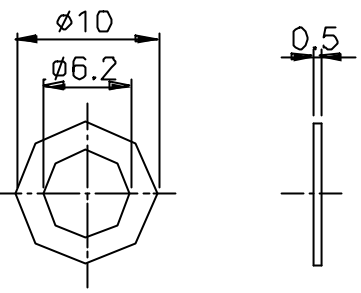
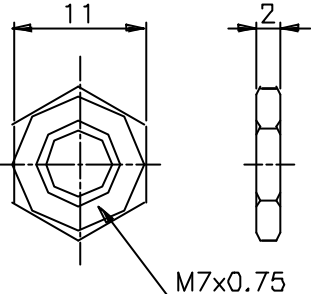
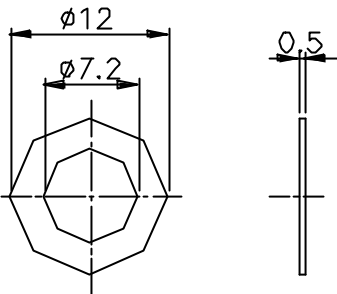
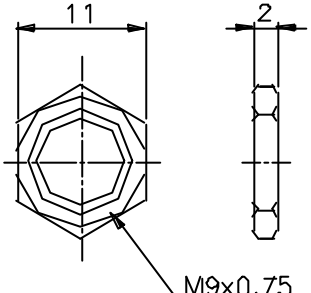
No.	Style	P.C.Board Mounting Hole Dimensions (Viewed from mounting face)
1		
2		

축 지수 Shaft Dimensions

L1	L2	LB
15	7	5
20	12	7
22.5		10
25		12

Attached Parts

These parts are attached to the following products.

Bushing diameter	Detail dimensions
M6 X 0.75	<p>Hexagonal nut</p>  <p>Flat washer</p> 
M7 X 0.75	<p>Hexagonal nut</p>  <p>Flat washer</p> 
M9 X 0.75	<p>Hexagonal nut</p>  <p>Flat washer</p> 